

## VIDHYA-SANCHAR

Ashutosh Dwivedi, Akshat Jain, Aman Soni, Arpit Jain and Pir Mohammad

Department of Computer Science and Engineering, Acropolis Institute of Technology and Research,  
Indore, Madhya Pradesh, India

*ashutoshdwivedics19@acropolis.in* \*, *amansonics19@acropolis.in*, *arpitjaincs19@acropolis.in*,  
*akshatjaincs19@acropolis.in* , *pirmohammad@acropolis.in*

**Abstract:** Education is a very essential part of student life and books are important to achieve it. The right to study has become a basic need in this advancing world, but some underprivileged students are still deprived of it. So “Vidhya Sanchar” an online platform is provided to help underprivileged students in their path of achieving knowledge, the platform provides facilities for book donation and exchange to help people. People can donate their books and can exchange them too with other people and all processes will be done through NGOs working in the locality. Rightly said by Ibrahim Hooper, “Donating is the ultimate sign of solidarity. Actions speak louder than words”. There are some websites which use online platforms for donation work but the problem is that it is not systematic and does not provide a feature of book or course exchange.

**Keywords:** Underprivileged, Deprived, Donation, Exchange, Solidarity, Online platform.

### Introduction

In a student's life education plays a vital role, as said by Winston Churchill, “We make a living by what we get, but we make a life by what we give”. Our project Vidhya Sanchar aims to help the underprivileged student in pursuing knowledge and make the best use of books, this platform is a website where people can donate their books to needy persons with the help of NGOs working in their locality and we added new features of books and course exchange where students can exchange their books and courses with each other. We deeply

studied some websites and papers that are working on the same successfully [1] but after reviewing as a user we found a need to add exchanges of books features to our project.

When a user will apply for a donation, the NGO working in the locality will pick up the books from the provided address and make them available for other students who cannot afford those books. Additional functionalities are provided to all users in our project and our project adds some enhancements to the existing system. When a user will apply to donate, the NGO will contact the donor and will pick up the books from the provided address and the person who needs the book can apply for the books he needs all these will be handled by the NGOs working with users locality and this project would be a small initiative towards saving the environment by reducing paper production.

We named our project “VIDHYA SANCHAR” as its meaning in the Hindi language is the flow of knowledge and we want to provide a platform which can help transfer knowledge to other students by donation. The proposed project's ultimate aim is to help underprivileged students who do not have easy access to books and we have tried to fill the gap between the receiver and donor by connecting through an online portal and also where students can easily exchange their courses and books with each other.

### II Literature Review

The study of approaches given by various developers and the shortcomings of those approaches inspire us

to develop a completely user-friendly and knowledgeable giving site that generates reliable results. There are many organizations and websites which are working on conducting the donation process smoothly. We have referred to some research done on making an online book donation platform where people can easily donate or take books through or without NGOs.

A. Donation Of Books:

Kuheli Dutta and Pritam Gurey [1] proposed a website which aims to find out the people who want to donate books, all information on the donated books is stored in a database and to find individuals/institutions who are interested in receiving those books, the website will have a separate interface for administrators, donors and recipients of books.

B. E-Commerce website:

Ansari Sharim Iqbal, Ansari Sharique Taj, Naik Owais Anwar and Mr Kalidas Bhawale [2] created an e-commerce website for book reselling and donation which allows customers to buy, sell or donate books on an online platform, users can donate his/her choice books to any of the NGO provided in the list and user can find a book among alternative books using a shopping search engine, which displays information, availability and pricing from different shops.

C. Android Application for a donation of books:

Arushi Singh and Dr.Shilpi Sharma [3] proposed an android application to connect people who are interested in donating books can donate their books to needy people, the proposed project aims to eliminate the gap between the donor and the people who need those books, the application is named as 'bridge' to represent that gap filling between donor and receiver..

D. Donation of books on the portal:

Hiten Arya and Dr Amita Goel [4] proposed a portal where donors have to fill details of books which he/she wants to donate and then the portal will generate a message with

details of books filled by donors in a particular category. If a needy person searches in a particular category then a list of donated books will be displayed in sorted order according to the geographical distance between the donor's location and his/her location.

E. Prototype to sell, buy or donate books irrespective of the stream:

Riya Kalburgi, and Mohammed Faiz Sayyed [5] proposed a prototype which allows users to sell, buy or donate books irrespective of stream. A community library is set in the locality of the user where they can collect donated books and their main aim is to overcome the limitations of conventional methods of book donation and exchange.

### III Proposed System

A. Architecture:

The proposed system is simple, manageable and easy to use. The proposed system aims to create a web application which allows users to donate books to NGO-based organizations or directly to people, users can also exchange their books or courses directly with other users. Users can also apply for receiving books through the respective NGOs working in their localities and all the donation work will be handled by the NGOs associated with this portal. A table containing a list of all donated/exchanged books will be displayed at the user end associated with the contact details of NGOs or individuals who want to exchange or donate the books or courses. The issue solved in this project basically helps in providing education more equitably and placates the urban-rural divide same side rather than on a diagonal.

B. Methods:

The steps performed to develop this Vidhyas Sanchar and the various functionalities of the proposed system are:

1. User/Ngo registration: If a user wants to donate, exchange or apply for receiving

books then the user needs to fill in a user registration form consisting of some entries required to be filled by the user for registration on the portal, after registration the user can access all features provided on the website. Fig.2 shows the registration page of the proposed system. A separate registration form is provided to the NGOs who want to work with the portal, organizations need to share their working details and contact details with the system, and a list of donors available in their locality will be provided to them along with their contact details. All the information about the NGOs will be displayed on the web portal. Fig.3 shows the registration form for NGO

2. User Login: After logging in, users can perform different activities such as exchanging books, and donating books by filling out the respective form. Users can also view the donated books and books for exchange with their details. Fig.4 shows the interface after login.

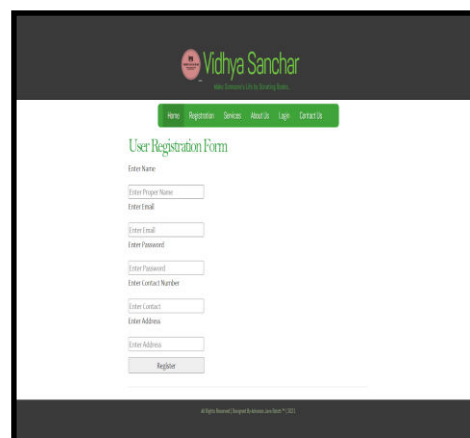
3. Donation and Exchange form: When a user wants to donate or exchange books, the user needs to fill out a donation or exchange form. Both forms ask for basic information about the book or courses to be exchanged or donated. The data entered by the user is shared with NGO for further processing and the status of the user's request is updated on the login interface of the user. Fig.5 and Fig.6 show the donation and exchange forms provided in the proposed system.

4. Feedback: There is a contact us section in the proposed system where users can share their feedback or complaints regarding the portal or the

NGO. This feedback and complaints are stored in a database where the administrator can access this information



and can take necessary action to the complaints or suggestions received by the users of the portal.



#### Illustrations:

**Fig.1 Home page of the system proposed**

**Fig.2 Registration Form for Users**

The screenshot shows the 'NGO Registration Form' on the Vidhya Sanchar website. The form includes fields for: Name of NGO, Enter Proper Name, Official Email, Enter Password, Enter Password (confirmation), Enter Contact Number, Enter Contact, Enter Address, Enter Address (confirmation), and Description About NGO. A 'Register' button is at the bottom.

Fig.3 Registration Form for NGOs

The screenshot shows the 'Donation Information Form' on the Vidhya Sanchar website. The form includes fields for: Name of Book, Enter Proper Name, Book Type, Name of Author, Author Name, Description About Book, Available NGOs, Enter Email, Enter Contact Number, Enter Contact, and Default Status. A 'Donate' button is at the bottom.

Fig.5 Donation Form for Books

The screenshot shows the user page after logging in on the Vidhya Sanchar website. The page features a navigation menu with 'Home', 'Registration', 'Services', 'About Us', 'Login', and 'Contact Us'. Under the 'Activities' section, there are links for 'EXCHANGE BOOKS', 'BOOKS FOR EXCHANGE', 'DONATE BOOKS', and 'LIST OF DONATED BOOKS'. A large 'Welcome aa !!' message is displayed in the center. The footer contains the text 'All Rights Reserved | Designed By Team Tech Squad™ | 2021'.

Fig.4 User Page After Logging In

The screenshot shows the 'Exchange Information Form' on the Vidhya Sanchar website. The form includes fields for: Name of Book, Enter Proper Name, Book Type, Name of Author, Author Name, Description, Enter Email, Enter Contact Number, Address, and Enter Address. A 'Register' button is at the bottom.

Fig.6 Exchange Form for Books

III Diagrams

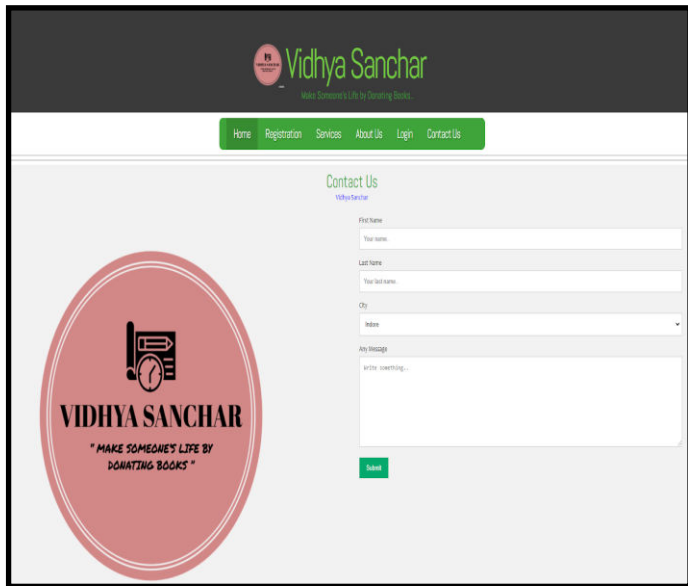


Fig.7 Feedback Form

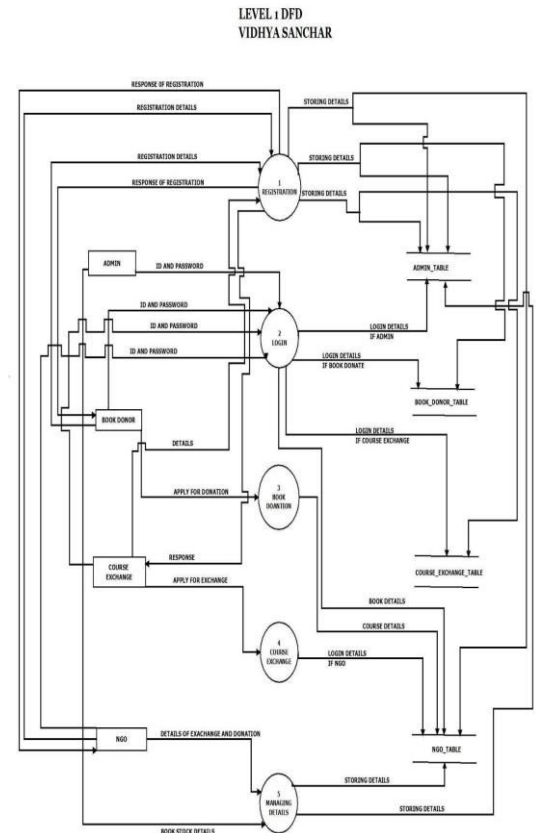
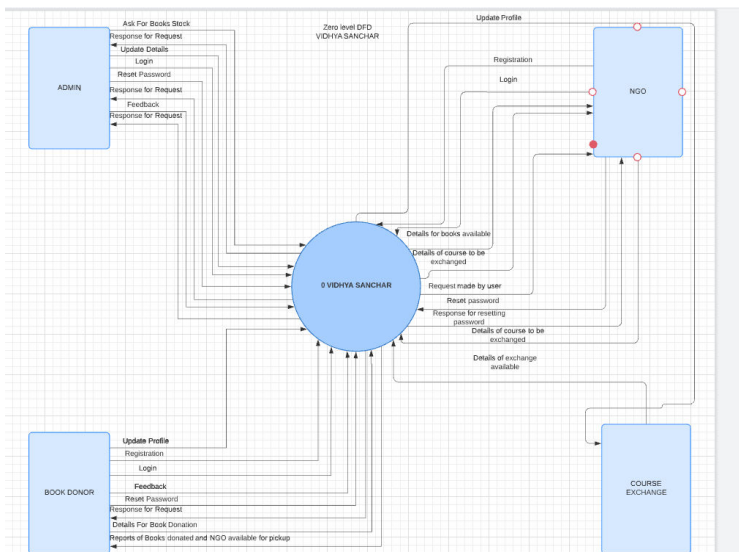


Fig.8 Data Flow Diagram Level 0 and Level 1



IV Conclusions

VIDHYA SANCHAR will be very helpful for students who are unable to read due to financial problems, this project is an attempt to fill the gap between donors and recipients, and to help underprivileged students. The proposed system will provide a platform where people can donate or exchange books/courses easily through the NGO working in the user's locality. Here we have introduced a feature of book or course exchange between the user which we felt was missing in other portals as a user. All the work regarding book pickup and distribution will be handled by the NGO working

in the user locality. We have also focussed on maximizing the use of printed pages to reduce the cutting of trees as a small initiative to save our environment. Our effort is to make online book donation features easier, more flexible and user-friendly to the users.

### Acknowledgements

Authors are grateful to Acropolis Institute Of Technology And Research, department of computer science for providing this golden opportunity to work on this project and we would also like to show our gratitude towards our project guide prof. Pir Mohammad for sharing his valuable suggestions on the project with us. We are also grateful to Dr Kamal Kumar Sethi, Head of Department (CSE) for his constant support.

### References

- [1]Kuheli Dutta, Pritam Gurey, "BOOK DONATION NETWORK (BOOKDONET): a network to donate & receive books", International Journal of Research in Social Sciences, Vol. 8 Issue 11, November 2018.
- [2]Ansari Sharim Iqbal, Ansari Sharique Taj, Naik Owais Anwar, Mr Kalidas Bhawale, "ONLINE BOOK RESELLING & DONATION", International Research Journal of Engineering and Technology (IRJET), Volume: 06 Issue: 04 Apr 2019
- [3]Hiten Arya and Dr Amita Goel, "Book Donation Platform", International Journal for Modern Trends in Science and Technology, 6(12): 73-76, 2020
- [4]Arushi Singh, Dr.Shilpi Sharma, "Implement Android Application For Book Donation", 2020 International Conference on Intelligent Engineering and Management (ICIEM), 2020, IEEE.
- [5]Riya Kalburgi, Mohammed Faiz Sayyed, "Books-Are-Us: Book Donation Website", International Research Journal of Engineering and Technology, Volume: 08 Issue: 02 Feb 2021.
- [6] Jie Liu.Design and Implementation of OnlineBookstore Based on JSP and JavaBean Technology.Modern Information,2015,(12):42-47
- [7]Lingxi Meng.Design of Online Bookstore SystemBased on Model.Value engineering,2011,(36):101-102.
- [8]Yingqian Tan. Research on Evaluation Index System Online Bookstore Based on University Students' Satisfaction. Journal of Sun Yat-sen University (social science Edition),2011,(4):174-184
- [9] Yinghui Xu.Design and Realization of an Online Used Book Sale System.Consumer Electronics,2012,(9):67-68.
- [10] Zhuanhong Chen, Huan Li.A typical application of jQuery in the WEB query module.Electronic Technology,2013,(12):28-32.
- [11] Paz J R G. Ajax and jQuery.Beginning Asp Net Mvc,2013,(3):11-13
- [12] Dan Deng.The Operating Mode and Development Prospect of China 's Online Bookstore.Entrepreneur World,2013,(4):110-111
- [13]Amazon: Advantages disadvantages. [Online]. Available:<https://www.simonconsulting.at/amazon-vn-EN.html>
- [14]Bookchor review: Sell/buy old books. [Online]. Available:<https://www.infosmush.com/bookchorreview-sell-buy-old-books>
- [15] K. M. Rahman, "A narrative literature review and e-commerce website research," arXiv preprint arXiv:1806.07833, 2018